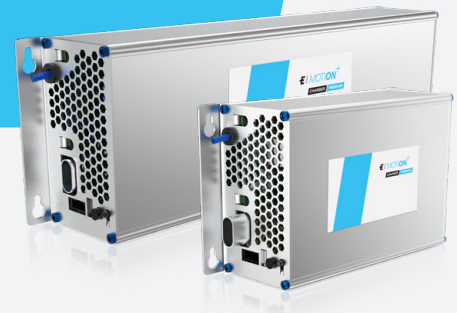


Motion+ Charger Premium

Technical data sheet



Technical features

- Very high energy efficiency due to HF technology and small CO₂ footprint
- Small and smart – requires less installation space than conventional chargers
- Easy to use – LED status indicator and just a single control
- Automatic USB data download
- Automatic start: “Plug & Play” – always keep your batteries powered
- Offers Exide’s premium charging profiles: Low load on the mains and yet low charging time
- Can also be equipped with air agitation, automatic watering system and many other options
- Optimal charging for all our battery ranges

Standards & certifications:

- CE, UKCA and RCM compliant according to 2014/35/EU (Low Voltage Directive), 2014/30/EU (Electro Magnetic Compatibility (EMC)), EN IEC 61000-6-2:2005, EN IEC 61000-6-4:2006 and AS/NZS 61000-6-4
- Compliant to electrical safety according to EN 60335-1: (2012), EN 60335-2-29: (2010) and AS/NZS 60335-1, AS/NZS 60335-2-29
- Fulfils the RoHS directive of the European Union 2011/65/EU & 2015/863/EU

Technical characteristics and data

Specifications	SP3	SP3+
Input voltage	1PH – 230VAC ± 10 %	
Input current	See specific model	
Input frequency	45-66 Hz	
Input cable	2 meters of flexible PVC cable to BS6500	
Input protection	None exchangeable fuse fitted inside the cubicle	
Output voltages	12V, 24V only	24V, 36V, 48V only
Output cable	2,9 meters of coil lead heat and oil resistant & flame retardant cable to BS6195 (extendable to 10 m)	
Output protection	LET type fuse, fitted inside the cubicle	
Charge characteristics	Software controlled output, multi-profile	
User interface	Single RGB LED and one button, USB data download	
Cooling	Forced cooling	
Ventilation	Chargers must be positioned with at least 100 mm of clearance at each end	
Humidity	Maximum relative humidity 95 %, non-condensing	
Ambient operating temperature	0 to 35 °C (45 °C with power limitation)	
IP rating	IP20	
Environment	Indoor use only dry well ventilated	
Cubicle dimensions (mm)	253 x 143 x 83 (WxDxH)	455 x 143 x 83 (WxDxH)
Weight (kg)	3.5	5.5

Motion+ Charger Premium

Technical data sheet

Selection table 12V

Battery technology		Vented				Gel block GiV		Gel cells PzV		Single phase		
Charge profile / Recharge time (h):		Vented Essential (S) / 12 h Vented Premium (L) / 12 h		Vented Essential (S) / 8 h Vented Premium (L) / 8 h		Gel / AGM (D) / 11-14 h		Gel / AGM (D) / 12-14 h		Input current @230 V / A +/- 10 %	Cubicle type	Weight (kg)
		Capacity range, C5 rated Ah										
Volt	Ampere	min.	max.	min.	max.	min.	max.	min.	max.			
12	8	80	99	56	69	44	67	53	68	0.6	SP3	3.5
12	10	100	119	70	84	56	83	67	84	0.7	SP3	3.5
12	12	120	149	85	105	67	100	80	107	0.9	SP3	3.5
12	15	150	188	106	140	83	125	100	129	1.1	SP3	3.5
12	20	189	250	141	175	111	167	130	167	1.5	SP3	3.5
12	25	251	304	176	210	139	208	167	208	1.8	SP3	3.5
12	30	305	375	211	250	167	250	200	250	2.2	SP3	3.5

Selection table 24V

Battery technology		Vented				Gel block GiV		Gel cells PzV		Single phase		
Charge profile / Recharge time (h):		Vented Essential (S) / 12 h Vented Premium (L) / 12 h		Vented Essential (S) / 8 h Vented Premium (L) / 8 h		Gel / AGM (D) / 11-14 h		Gel / AGM (D) / 12-14 h		Input current @230 V / A +/- 10 %	Cubicle type	Weight (kg)
		Capacity range, C5 rated Ah										
Volt	Ampere	min.	max.	min.	max.	min.	max.	min.	max.			
24	8	80	99	56	69	44	67	53	68	1.2	SP3	3.5
24	10	100	119	70	84	56	83	67	84	1.5	SP3	3.5
24	12	120	149	85	105	67	100	80	107	1.8	SP3	3.5
24	15	150	188	106	140	83	125	100	129	2.2	SP3	3.5
24	20	189	250	141	175	111	167	130	167	2.9	SP3	3.5
24	25	251	304	176	210	139	208	167	208	3.7	SP3	3.5
24	30	305	375	211	250	167	250	200	250	4.4	SP3	3.5
24	35	376	416	251	281	194	292	233	292	5.1	SP3+	5.5
24	40	417	471	282	320	222	333	267	333	5.9	SP3+	5.5
24	45	472	527	321	360	250	375	300	375	6.6	SP3+	5.5
24	50	528	582	361	400	278	417	333	417	7.4	SP3+	5.5
24	55	583	638	401	440	306	458	367	458	8.1	SP3+	5.5
24	60	639	700	441	500	333	500	400	500	8.8	SP3+	5.5

Motion+ Charger Premium

Technical data sheet

Selection table 36V

Battery technology		Vented				Gel block GiV		Gel cells PzV		Single phase		
Charge profile / Recharge time (h):		Vented Essential (S) / 12 h Vented Premium (L) / 12 h		Vented Essential (S) / 8 h Vented Premium (L) / 8 h		Gel / AGM (D) / 11-14 h		Gel / AGM (D) / 12-14 h		Input current @230 V / A +/- 10 %	Cubicle type	Weight (kg)
		Capacity range, C5 rated Ah										
Volt	Ampere	min.	max.	min.	max.	min.	max.	min.	max.			
36	20	189	250	141	175	111	167	130	167	4.4	SP3+	5.5
36	25	251	304	176	210	139	208	167	208	5.5	SP3+	5.5
36	30	305	375	211	250	167	250	200	250	6.6	SP3+	5.5
36	35	376	416	251	281	194	292	233	292	7.7	SP3+	5.5
36	40	417	471	282	320	222	333	267	333	8.8	SP3+	5.5

Selection table 48V

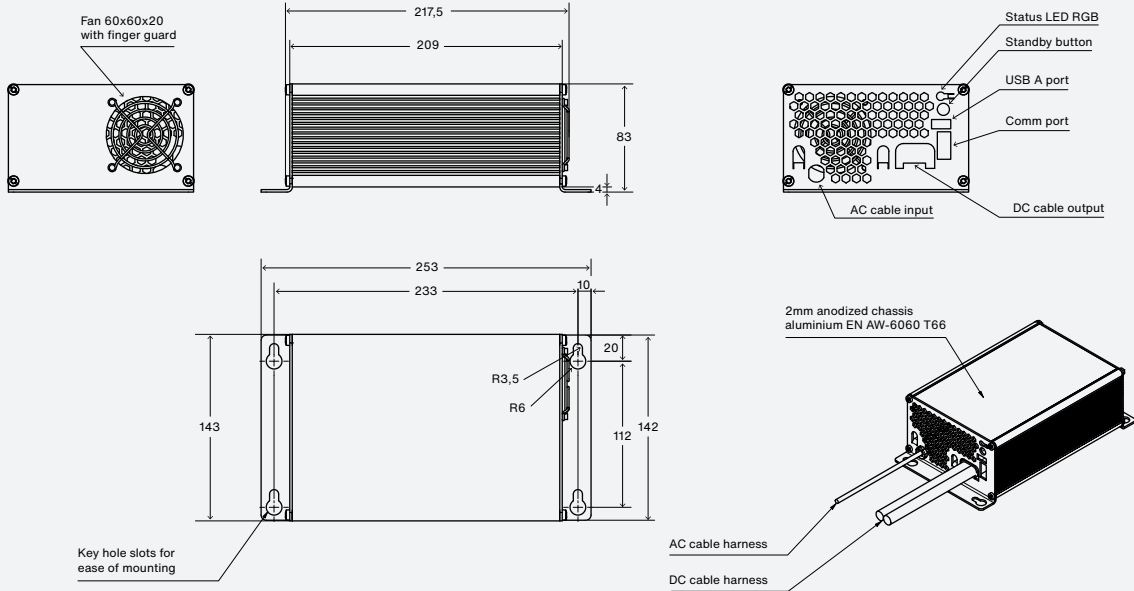
Battery technology		Vented				Gel block GiV		Gel cells PzV		Single phase		
Charge profile / Recharge time (h):		Vented Essential (S) / 12 h Vented Premium (L) / 12 h		Vented Essential (S) / 8 h Vented Premium (L) / 8 h		Gel / AGM (D) / 11-14 h		Gel / AGM (D) / 12-14 h		Input current @230 V / A +/- 10 %	Cubicle type	Weight (kg)
		Capacity range, C5 rated Ah										
Volt	Ampere	min.	max.	min.	max.	min.	max.	min.	max.			
48	15	150	188	106	140	83	125	100	129	4.4	SP3+	5.5
48	20	189	250	141	175	111	167	130	167	5.9	SP3+	5.5
48	25	251	304	176	210	139	208	167	208	7.4	SP3+	5.5
48	30	305	375	211	250	167	250	200	250	8.8	SP3+	5.5

Motion+ Charger Premium

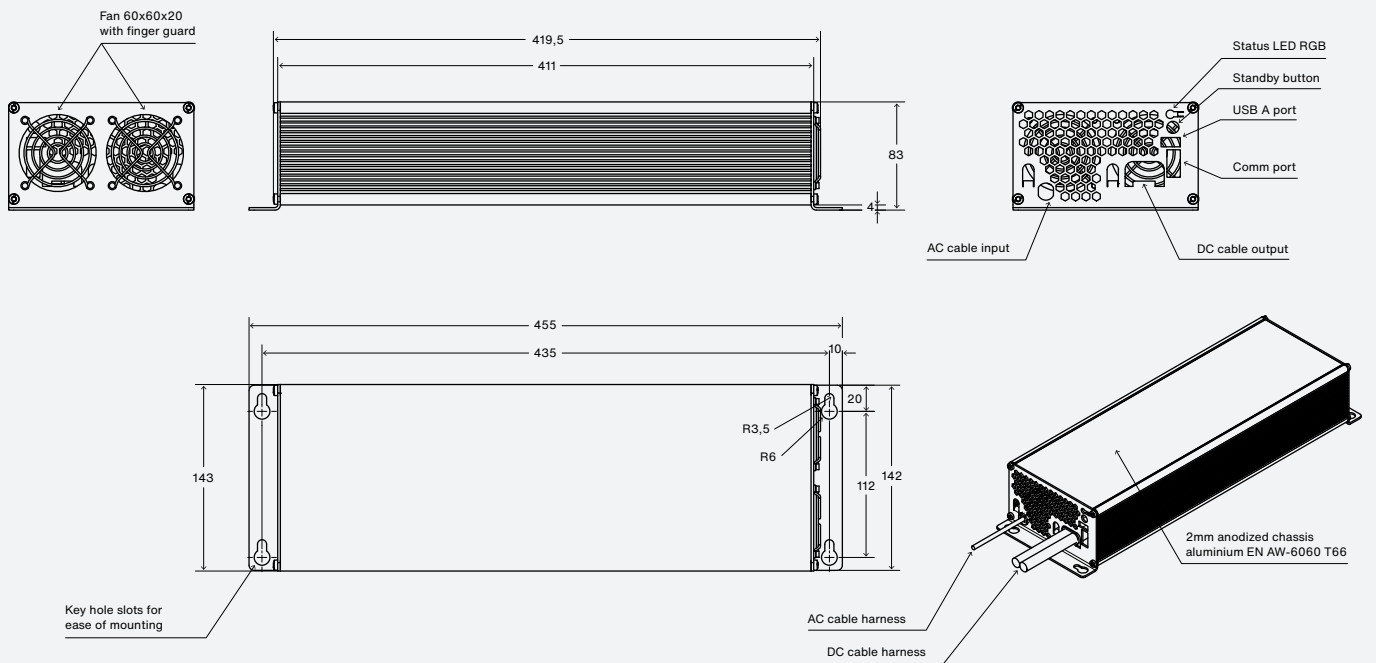
Technical data sheet

Drawings

SP3



SP3+



Not to scale!